

Fiber Optic Attenuator Kits

timbercon



BENEFITS

- Precise attenuation values
- Industry standard attenuation levels
- Multiple attenuators per kit
- Portable and durable
- Reference chart included for easy attenuator identification
- Compartmentalized case provides safe components storage and simple organization
- Small, durable case for easy portability

APPLICATIONS

- Test & Measurement
- Receiver Padding
- Sensors
- CATV equipment
- Telecommunications
- Troubleshooting
- Diagnostics
- Research & Development

Get the attenuators you need all in one convenient place

Timbercon fiber optic attenuator kits provide a cost effective and convenient solution for all your inline attenuation requirements. Ideal for laboratory, manufacturing, or field applications, each attenuator kit combines a series of premium dual wavelength (1310nm/1550nm) attenuators with a durable storage case for easy portability and attenuator identification chart for quick component identification.

All Timbercon attenuators are built with the highest quality materials and factory tested to ensure precise attenuation and performance.

Timbercon also offers customized adapter kits for specific customer/applications requirements. Contact your Timbercon representative for additional details.

PREMIUM SOLUTIONS

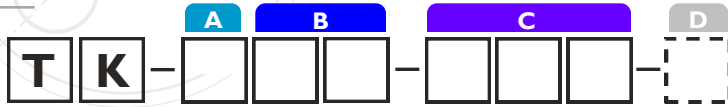
SPECIFICATIONS

Optical Loss	SM	MM
0 - 10 dB	±1 dB	±1 dB
11 - 24 dB	±10%	±10%
25 - 30 dB	±10%	-



Fiber Optic Attenuator Kits

▶ PART NUMBER GENERATOR



A - Kit Type

- 1 Adapter
- 3 Attenuator
- 5 Cleaning
- 9 Custom

B - Connector Basis

- 00 No Connector
- 03 FC
- 07 LC
- 11 MT
- 17 MT-RJ
- 19 MU
- 21 SC
- 27 ST
- 90 Mixed
- 95 APC
- 99 Custom

C - Kit Size

Enter kit size (number of pieces) in block (C) to denote kit size.

EXAMPLE:
8 piece = 008

D - Ferrule Type (Optional)

- A 1.25 & 2.5 mm
- B MT Male

▶ PERFORMANCE

Insertion Loss (Typical)	SM	MM
FC, ST, SC, LC, MU	0.15 dB	0.35 dB
MTRJ	0.30 dB	0.30 dB
Back Reflection (Typical)	≤-55 dB	≤-35 dB
Mating Durability (500 Cycles)	<0.20 dB	<0.20 dB
Temperature Range	-40°c to 85°c	-40°c to 85°c

▶ CONSTRUCTION

	Buffer	Strength Member	Jacket
3mm Riser	900 um	Kevlar	PVC
3mm Plenum	900 um	Kevlar	PVDF

▶ CONFIGURATION OPTIONS

LC Attenuator Kit

Part Number: TK-307-008

Includes:

- (2) LC 5 dB
- (2) LC 10 dB
- (2) LC 15 dB
- (2) LC 20 dB

Rugged Storage/Carry Case




SC Attenuator Kit

Part Number: TK-321-008

Includes:

- (2) SC 5 dB
- (2) SC 10 dB
- (2) SC 15 dB
- (2) SC 20 dB

Rugged Storage/Carry Case




MU Attenuator Kit

Part Number: TK-319-008

Includes:

- (2) MU 5 dB
- (2) MU 10 dB
- (2) MU 15 dB
- (2) MU 20 dB

Rugged Storage/Carry Case




Complete Attenuator Kit

Part Number: TK-390-058

Includes:

- (2) LC 1 dB
- (2) LC 2 dB
- (2) LC 3 dB
- (2) LC 4 dB
- (2) LC 5 dB
- (2) LC 6 dB
- (2) LC 7 dB
- (2) LC 8 dB
- (2) LC 9 Db
- (2) LC 10 dB
- (2) LC 15 dB
- (2) LC 20 dB
- (2) SC 5 dB
- (2) SC 10 dB
- (2) SC 15 dB
- (2) SC 20 dB
- (2) FC 5 dB
- (2) FC 10 dB
- (2) FC 15 dB
- (2) FC 20 dB
- (2) ST 5 dB
- (2) ST 10 dB
- (2) ST 15 dB
- (2) ST 20 dB
- (2) MU 5 dB
- (2) MU 10 dB
- (2) MU 15 dB
- (2) MU 20 dB
- (1) mm VOA
- (1) sm VOA

Rugged Storage/Carry Case




LC Attenuator Kit 2

Part Number: TK-307-018

Includes:

- (2) LC 1 dB
- (2) LC 2 dB
- (2) LC 3 dB
- (2) LC 4 dB
- (2) LC 5 dB
- (2) LC 6 dB
- (2) LC 7 dB
- (2) LC 8 dB
- (2) LC 9 dB

Rugged Storage/Carry Case



FC Attenuator Kit

Part Number: TK-303-008

Includes:

- (2) FC 5 dB
- (2) FC 10 dB
- (2) FC 15 dB
- (2) FC 20 dB

Rugged Storage/Carry Case



ST Attenuator Kit

Part Number: TK-327-008

Includes:

- (2) ST 5 dB
- (2) ST 10 dB
- (2) ST 15 dB
- (2) ST 20 dB

Rugged Storage/Carry Case



▶ ABOUT

Founded in 1997, Timbercon, Inc. is a fiber optic product and solution manufacturing company providing a vast array of connectivity solutions to the data storage, telecommunications, military, industrial, broadcast and networking industries. In addition to standard fiber optic patch cords and attenuated test cables, Timbercon has pioneered proprietary products, many of which are now considered to be an industry benchmark.

